

# FLEET ENGINEERS INCORPORATED

## Single Bolt Mount Installation Instructions

Patent #6,484,984B2

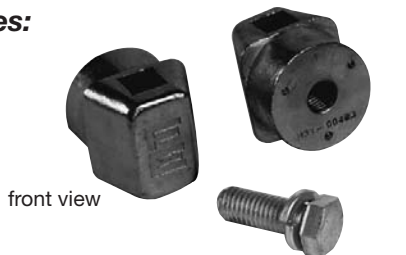
Installation Sheet #INS-02025

*NOTE: These instructions for installation are intended to be a general guide to help the installer. Because of the large number of possible mounting configurations, the installer is responsible for the ultimate installation design. Any modifications to the product are at the discretion, responsibility and risk of the installer.*

### Each Single Bolt Mounting

#### Package Set Includes:

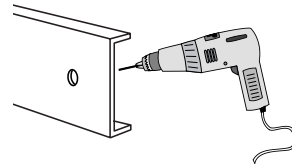
- 2 mount sockets
- 2 5/8" bolts
- 2 lock washers



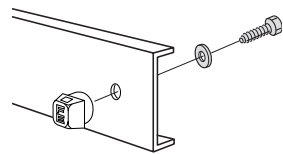
Installation Sheet #INS-02025  
7/02 • Rev. B-10/06

1. Determine the mounting position for the mudflap bracket. If there is not an existing clearance hole for a 5/8" bolt available, one will have to be drilled.

**NOTE: Be sure to follow truck manufacturers recommended procedures for drilling any required hole in the frame.**

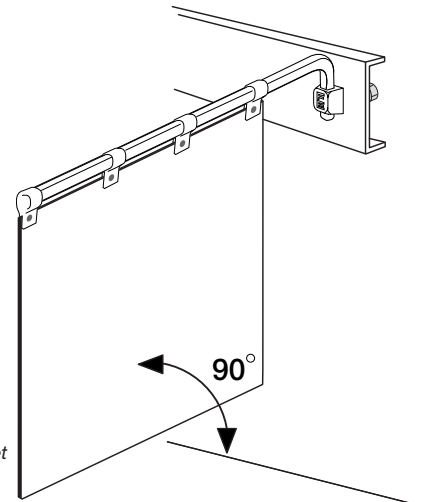


2. **IMPORTANT! Make sure the frame is clean and free from obstructions and excessive thickness of paint.**



Loosely attach the mount to the frame with the 5/8" bolt.

3. Insert the mud flap bracket into the opening on the top of the mount. Make sure the mud flap hangs vertical to the road.
4. Tighten the bolt to **245 ft. lbs.** of torque while keeping the mud flap in the vertical position.



*mud flap and mud flap bracket not included*