

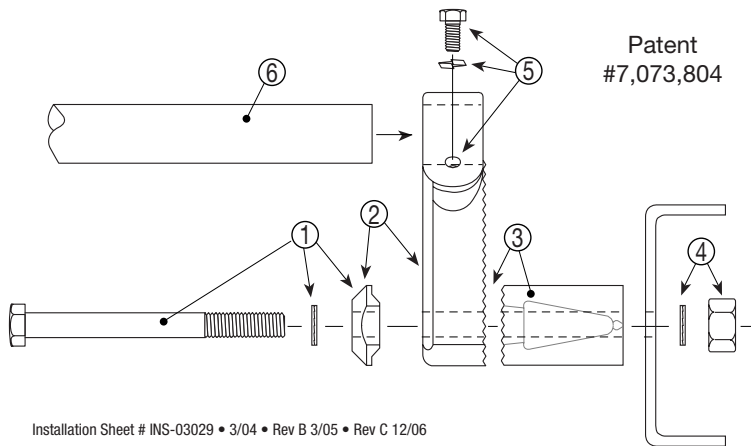
FLEET ENGINEERS

INCORPORATED

Master Multi-Mount Installation Instructions



Installation Sheet #INS-03029



Installation Sheet # INS-03029 • 3/04 • Rev B 3/05 • Rev C 12/06

NOTE: These instructions for installing Master Multi-Mount are intended to be a general guide to help the installer. Because of the large number of possible mounting configurations, the installer is responsible for the installation design and for providing adequate clearance around the tire carrier (i.e. tire clearance, trailer clearance, etc.)

This product may not fit all truck models or types of suspensions. Check truck or trailer manufacturer for suspension travel specifications. Modifications to the brackets and/or the fenders may be required. Any modifications are at the discretion, responsibility and risk of the installer.

- 1) Place a Nord-Lock washer first, then the Master Multi-Mount casting washer (the side with the bevels facing away from the bolt head) onto a 5/8" x 6 1/2" bolt.
- 2) Insert the bolt and assembled washers through the slot in the Master Multi-Mount, matching the side with the bevels to the bevels on the washer.
- 3) Slide the Master Multi-Mount Frame Spacer over the bolt, making sure that the serrations of the two parts engage.
NOTE: If additional distance from the frame is needed, it can be gained by using the 3.5" extension set (part #031-01299)
- 4) Insert the bolt through the selected hole in the frame, then install a second Nord-Lock washer and a nut onto the bolt, but only finger tight.
- 5) Put a 3/8" lock washer on a 3/8" x 1-1/4" bolt and thread it into the clamp portion of the Master Mount.
- 6) Slide the Master Multi-Mount Tube through the clamp. Make sure that at least 1/8" of the tube protrudes out the other side.
- 7) Make the desired adjustment for offset and rotational position of the Master Multi-Mount. Then tighten the bolts to the proper torque, 180 ft. lbs. for the 5/8" bolt and 236 in. lbs. or 19 ft. lbs. for the 3/8" bolt.
- 8) Install an end cap into each end of the Master Multi-Mount tube per directions supplied.
- 9) Now you can install the Spray Master fender onto the Master Multi-Mount.