

# FLEET ENGINEERS INCORPORATED

## FB-27 Mounting Procedure & End Cap Installation

Installation Sheet #INS-04031

*NOTE: These installation instructions are intended to be a general guide to help the installer. Because of the large number of possible mounting configurations, the installer is responsible for the ultimate installation design. Any modifications to the product are at the discretion, responsibility and risk of the installer.*

1. Make sure the area of the frame where the bracket is to be mounted is clean and free from obstructions and protrusions. **The frame seat of the bracket must come in full contact with the frame.**
2. Locate the bracket in the desired position. **Make sure the frame seat does not extend past the bottom edge of the frame.** Mark the location of the bolts.

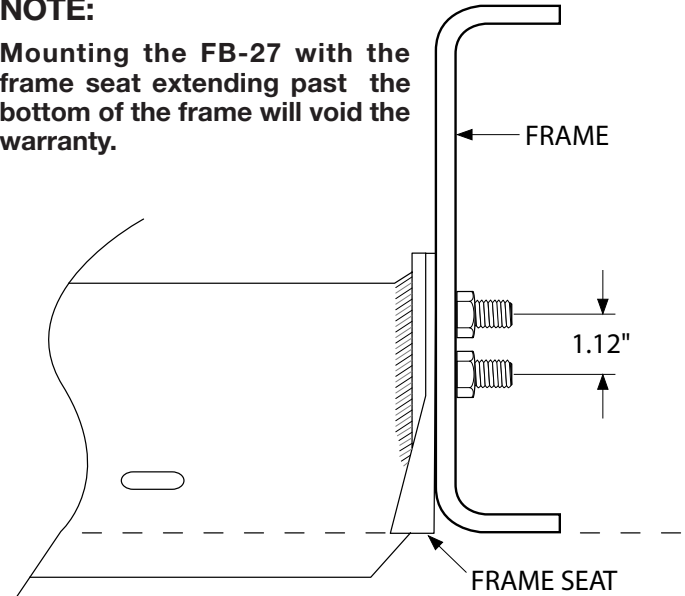
3. Drill 17/32" clearance holes for the bolts.

NOTE: Be sure to follow truck manufacturers recommended procedures for drilling any required holes in the frame.

4. Install bracket and **torque nuts to a maximum of 57 ft. lbs.**

### NOTE:

Mounting the FB-27 with the frame seat extending past the bottom of the frame will void the warranty.



# FLEET ENGINEERS

INCORPORATED

## FB-27 Mounting Procedure & End Cap Installation

Installation Sheet #INS-04031

1. Install the end cap on the FB-27 bracket using the end mud flap bolt. Make sure the tab is located between the bracket flanges and insert the bolt through both the slotted holes in the bracket and the slotted hole in the tab. Correctly position the cap, bracket and flap before the final tightening of the bolt.

