

FLEET ENGINEERS

INCORPORATED

Display Stand Assembly Instructions

Installation Sheet Part Number INS-05033

Display Stand Set Includes:

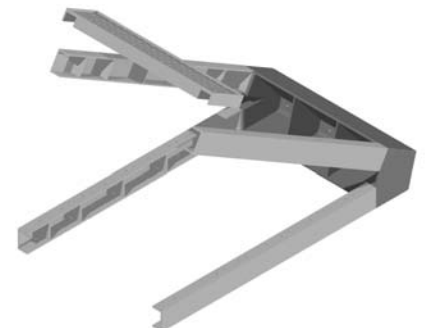
- 1 - Top Cross Support
- 2 - Mid Cross Supports
- 8 - Leg Sections
- 2 - Literature Trays
- 4 - Feet
- 12 - Bolts
- 12 - Wing Nuts
- 20 - Display Hooks



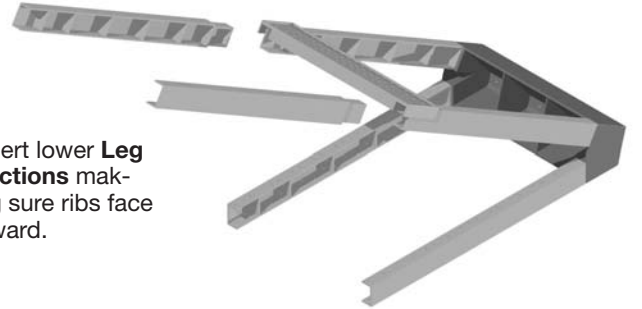
1. Insert 4 **Leg Sections** into **Top Cross Support** making sure the ribs face inward. Some force may be necessary.



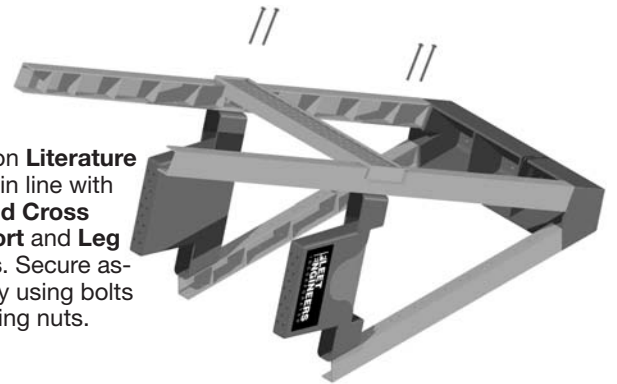
2. Lay stand on its side and position **Mid Cross Support** in line with the last set of holes in assembled leg sections.



3. Insert lower **Leg Sections** making sure ribs face inward.



4. Position **Literature Trays** in line with the **Mid Cross Support** and **Leg Joints**. Secure assembly using bolts and wing nuts.



5. Insert **Feet** and secure with bolts and wing nuts



6. Flip assembly over and repeat step two through five.

