

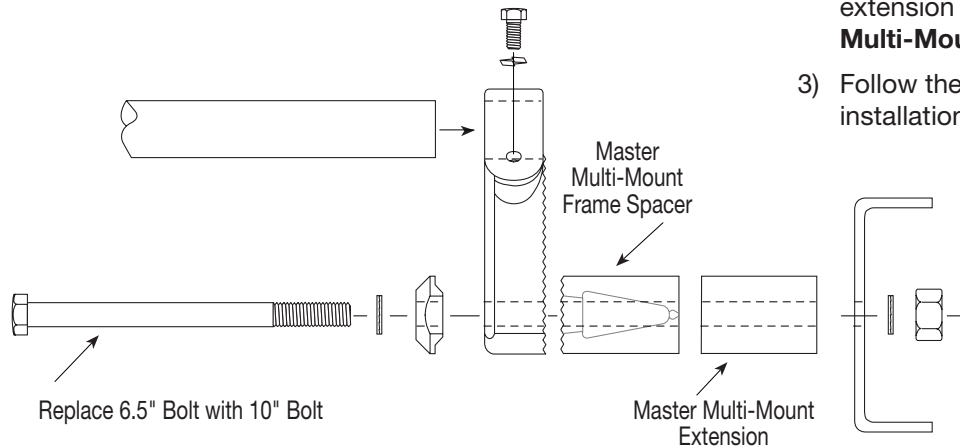
FLEET ENGINEERS

INCORPORATED

Master Multi-Mount Extension Set Installation



Installation Sheet #INS-05034



NOTE: These instructions for installing Master Multi-Mount are intended to be a general guide to help the installer. Because of the large number of possible mounting configurations, the installer is responsible for the installation design and for providing adequate clearance around the tire carrier (i.e. tire clearance, trailer clearance, etc.)

This product may not fit all truck models or types of suspensions. Check truck or trailer manufacturer for suspension travel specifications. Modifications to the brackets and/or the fenders may be required. Any modifications are at the discretion, responsibility and risk of the installer.

- 1) Replace the 6-1/2 in. bolts in the standard Master Multi-Mount hardware set with the 10 in. bolts from the extension set.
- 2) Between steps 3 & 4 (in the Master Multi-Mount installation instructions # INS-03029) add the 3-1/2 in. extension to the 10 in. bolt **between the Master Multi-Mount frame spacer and the truck frame.**
- 3) Follow the remainder of the Master Multi-Mount installation instructions.