

# FLEET ENGINEERS

INCORPORATED

## End Mount Conspicuity Plate Kit Installation Instructions

Installation Sheet #INS-99010

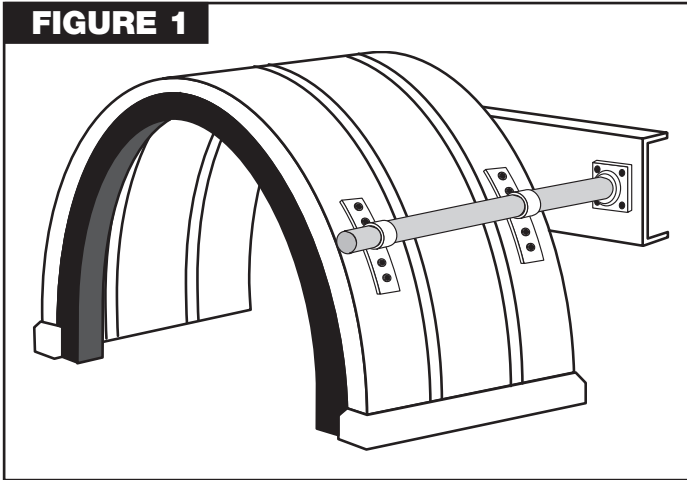
Patent #6,431,605

### ASSEMBLY INSTRUCTIONS

Although the following illustrations show in detail how to attach an end mount conspicuity plate kit to a Spray Mate fender using a side style round end mount, these instructions are also to be used to mount a conspicuity plate kit to any brand full round or double radius tandem fender with any style tube mount.

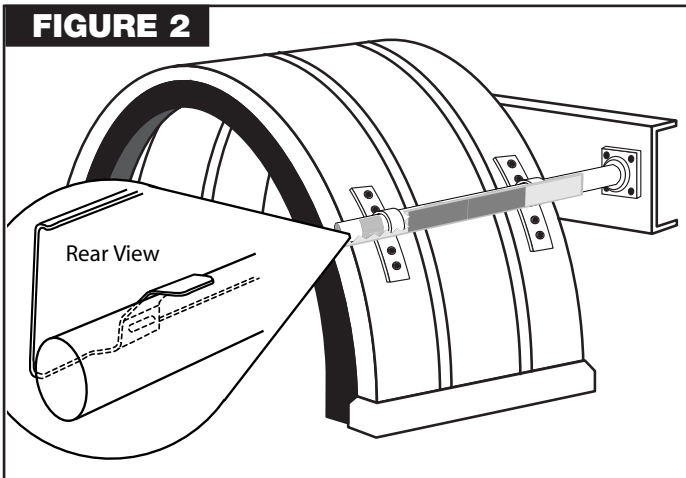
1. If fender is not already in place, follow manufacturers instructions to install.

**FIGURE 1**



2. Place conspicuity bracket on end mount. (Figure 2)

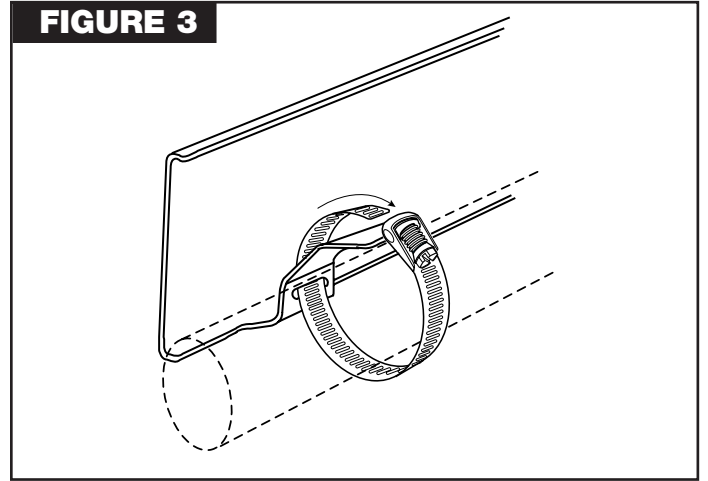
**FIGURE 2**



3. Attach bracket using clamps provided.

Wrap one band around end mount and slide end of band through the eye hole on the conspicuity plate. Insert the band under clamp screw and push screw into closed position. Repeat this step with other clamp. (Figure 3)

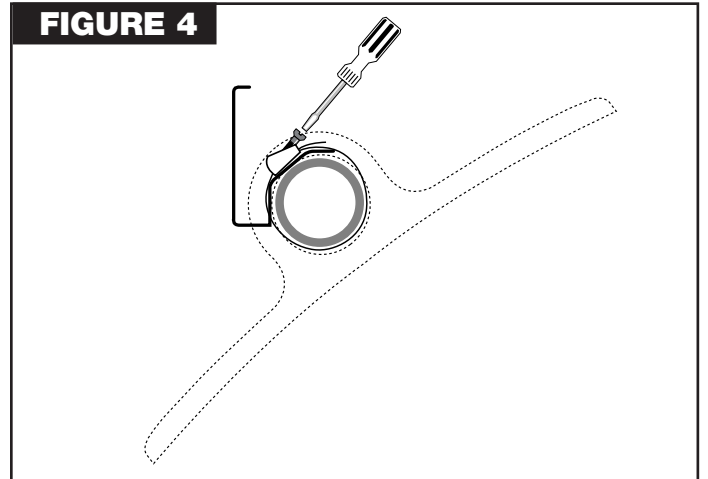
**FIGURE 3**



4. Tighten clamps

Using screwdriver, tighten both clamps. Make sure the face of the conspicuity plate is square to the road before tightening all the way. (Figure 4)

**FIGURE 4**



5. That's all there is to it!

**FIGURE 5**

