

Wood Roll-Up Door Order Form

To Order Call: 1 800 333 7890 or Fax (24 Hours) 231 777 2720



1800 E. Keating Ave.
Muskegon, MI 49442-6189 U.S.A.
Phone 1 800 333 7890
Fax 231 777 2720
www.fleetengineers.com

NOTICE:
Custom doors (non-catalog)
are non-returnable and order
cannot be cancelled!

Date: _____

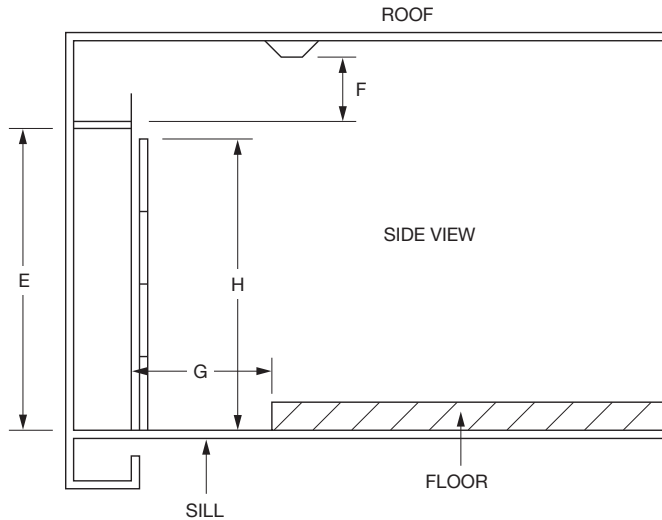
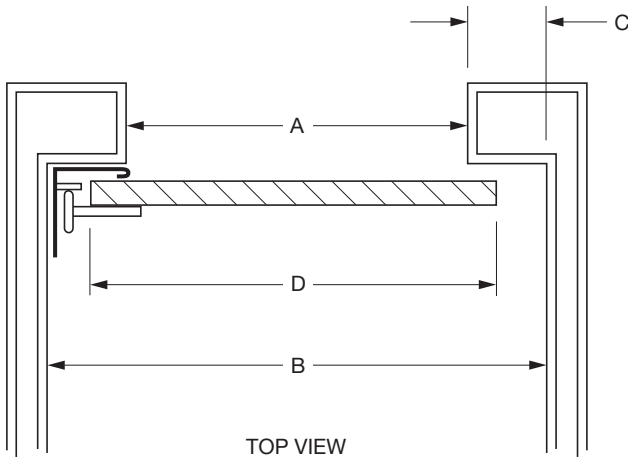
Sold To: _____

Contact: _____

Phone: _____

Ship To: _____

P.O. Number: _____ Qty. _____



Required Dimensions for Width

- A = opening width _____
- B = track mounting width _____
- C = side room _____
- D = over the wood (A + 2.25") _____

Required Dimensions for Height

- E = opening height _____
- F = header to roof bow (5.50" minimum) _____
- G = doorjam to floor (3.00" minimum) _____
- H = over the wood height (E - .50") _____

Please fill in all dimensions. If you have special conditions, please indicate above or attach an additional sketch for engineer review.

Overall Wood Size:

_____ Wide x _____ High
(Available in .25" increments only)

Door Options

Style: T-Style W-Style Premium Version

- Type: Universal Drop In Door
 - W-Style: (Door only, hinges shipped loose on both sides)
 - T-Style: (Door only, hinges shipped loose on one side)
- Replacement Door
(Door only, fully assembled and manufactured to exact size)
- Complete Replacement Door
(Fully assembled door, manufactured to exact size, with all tracking and operator assembly)
- Complete Door-UDI Format
 - W-Style: (Hinges shipped loose on both sides with all tracking and operator assembly)
 - T-Style: (Hinges shipped loose on one side with all tracking and operator assembly)

Equipment Options

- Painted white (the outside side of door only)
- 2" Width Conversion Kit with 7" header
- 2" Width Conversion Kit with 9" header
- Side Seals - Type _____
- Offset bottom seal & retainer (W-Style Doors only)
- Heavy Duty package: T-style doors only (heavy duty bottom fixtures and heavy duty bottom seal)
- Anti-corrosion package: T-style replacement doors only (stainless steel door rivets and e-coated hinges)
- Anti-corrosion package: W-style replacement doors only (stainless steel door rivets)

Panels

Unless otherwise specified, Fleet Engineers will determine panel configuration based on size of door.

Authorized Signature _____

Must be signed before order can be processed